

# Next-Generation Label Printing Scale

Smart. Proven. Future-proof.



bPlus-T2

**Fast and accurate weighing and service. bPlus is an ergonomic and dependable retail scale that will win the hearts and trust of operators with its robustness, reliability and ease of use.**

bPlus is designed for grocery stores and supermarkets that place high demands on the quality and reliability of the equipment they work with. Its ingenious details and smart software will help to simplify the scale-, sales- and category-management processes and hence save valuable time, day after day.

**METTLER TOLEDO**

# bPlus

## Small Details. Big Difference.

**bPlus is perfect for retailers who are looking to invest wisely in future proof weighing technology that will help them focus on what really matters: sales and profit. That's why every part of a METTLER TOLEDO bPlus scale is carefully engineered to provide you with outstanding benefits. Because the difference is in the details.**

Be prepared for the future with latest features for investment protection. bPlus convinces with a fast and flexible keyboard, less standby-power and enables quick paper roll changes from top. bPlus combines simple ergonomic operation and high functionality at the service counter – thereby setting the new standard in its performance class.



### Easy Operation.

User compatible to previous scales, logical menu structure for simplified navigation, faster and more flexible keyboard and proven functionalities, extended with many new and exciting possibilities: bPlus continues the success story of METTLER TOLEDO label printing scales.



### Quality.

bPlus lives up to every expectation associated with quality. Stylish design, top-quality components like an incredibly fast printer and aluminium housing – plus all the carefully considered details combined to create a tangible difference.



### Smart Management.

Keep firmware and configurations data up to date and optimize the operational uptime and system continuity with feature-rich and legally compliant application software. Furthermore, bPlus enables a convenient setup and configuration by scale configuration software or easy USB configuration loading.

### Optimized work process

Convenient changeovers between serving and pre-packing, basket total function, QR-code support, automatic label format recognition, fast price changes and online price updates – and much more! The bPlus scale software combines know-how with global experience, resulting in optimal work processes in every situation.

### Hygienic design

The stainless-steel weighing plate is easy to clean, while the scale housing is made of aluminium with impact and scratch resistant surfaces, designed to eliminate unnecessary crevices that could harbor dirt and grime.

### Lower energy costs

In longer pauses between service, the bPlus automatically goes into the energy-saving standby mode –but a brief touch of any key is all it takes for the scale to be ready for action again.

### Outstanding readability

The LCD customer display has an extremely high viewing angle and a contrast rich screen featuring an extra text line. Users benefit from the outstanding legibility, even in brightly lit store environments and under difficult lighting conditions.

### Rapid paper change

Changing the paper roll is a quick and easy process with the bPlus thanks to convenient access to the printer unit from above and its stable mechanism.



### Fast label printing

Who's next, please? The high-speed printer on the bPlus keeps the pace of service high to maximize sales. It also enables small size barcode printing as well as vertical printing.

### Flexible keyboard layout

70 individually configurable PLU preset keys, each of which can be doubly assigned, as well as additional configurable function keys, give sales employees quick access to the product range. All the membrane keys have a clear pressure point to support accurate, error-free operation.

### Convenient data management

Network connection either via LAN or wireless, automatic backups, real time server data look up, transmitting and securing item and configuration data via USB sticks: a broad spectrum of smart management functions make data security and data management easier and faster.

For more information and videos, visit:

► [www.mt.com/retail-bPlus](http://www.mt.com/retail-bPlus)

### Optimum support in the fresh food category

- Fast weighing, serving and labeling compliant with today's regulations
- Proven, mature software extended with next-generation functionalities
- Compatibility with predecessors, makes it easy for employees who know METTLER TOLEDO legacy scales to work with the new scale
- Smart software solutions allow to run bPlus and predecessor scales in one store
- Professional PC-software for integration with ERP system
- Smart management for optimal data integrity and operational uptime of the scales





# Technical Data

## bPlus-T2

### Operator Display\*

High contrast LCD display

Weight: 6 digits

Tare: 5 digits

Price/kg: 6 digits

Total: 7 digits

Text line: 16 alphanumeric characters (dot matrix line)

### Customer Display\*

High contrast LCD display

Weight: 6 digits

Tare: 5 digits

Price/kg: 6 digits

Total: 7 digits

Text line: 16 alphanumeric characters (dot matrix line)

### Housing

Die-cast aluminium housing

Stainless steel platter

Adjustable feet

### Keyboard

Easy to clean membrane keyboard

98 membrane keys with pressure point

70 preset keys with two layers for assigning 140 PLUs

Separate individually configurable function keys

### Printer

Thermal printer for receipts, labels and linerless \*\*

Printing speed: up to 125 mm/s

Print resolution: 8 dots/mm

Roll width labels and linerless: 65 mm

Printable width: 56 mm

Roll diameter: max. 120 mm

### Data Storage

32 MB internal memory

### Interfaces

2 RS232 serial interfaces

1 RJ45 Ethernet interface

2 USB interfaces

1 RJ11 interface (12 V) for controlling the cash register

### Networking and Data Transfer

10/100 Base T Ethernet, TCP/IP, USB, DHCP,

Wireless LAN \*\*

DHCP support for automated network setup

Hub less network connection

Automatic backup

Smart management functions for transmitting

and securing production and configuration data via USB stick

### Housing Color

Dark grey

### Weighing Range

3/6 kg 6/15 kg 15/30 kg

### Graduation

1/2 g 2/5 g 5/10 g

### Minimum Capacity

20 g 40 g 100 g

Automatic zero-setting

### Accessories and Options

Power cord

Wireless kit for Wireless data transmission

according to IEEE802.11b/g/n standard

Linerless printer

### Power Consumption

100-240 V AC, 50/60 Hz

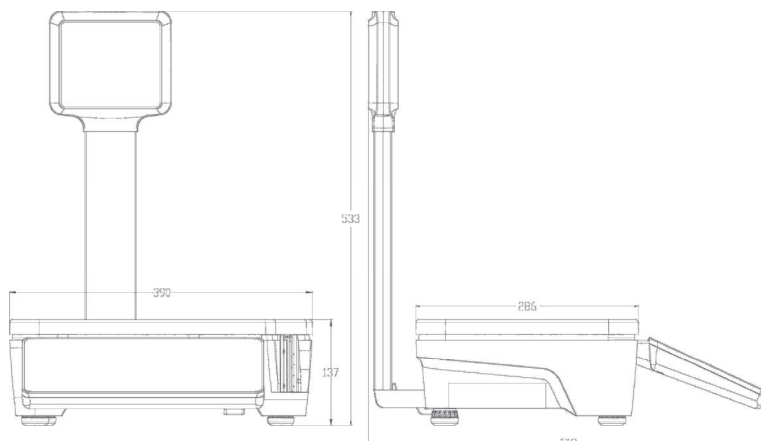
Standby power consumption: < 0.5 W

Working power efficiency: > 85 percent



\* Different availability of display types depending on region: Segment LCD display with orange backlight; 1 line dot matrix display with orange or white backlight.

\*\* Optional



All dimensions in mm

[www.mt.com/retail](http://www.mt.com/retail)

For more information

### METTLER TOLEDO Group

Retail Division

Local contact: [www.mt.com/contacts](http://www.mt.com/contacts)

Subject to technical modifications

© 10/2019 METTLER TOLEDO. All rights reserved

Document ref. 30403395 A

MarCom Industrial